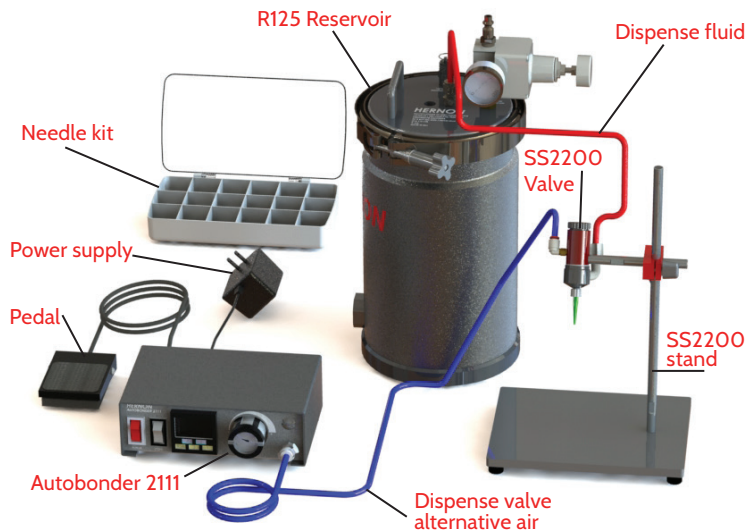


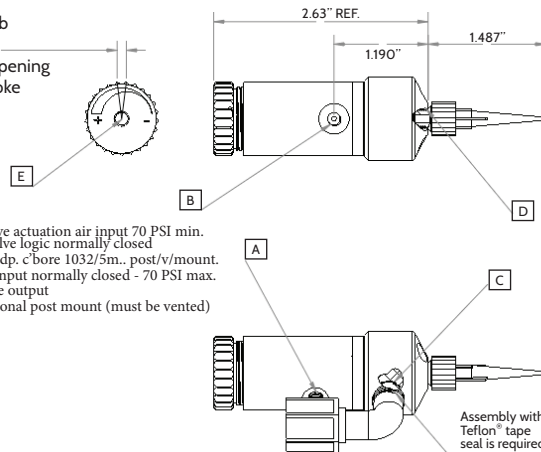


SS2200 Series Data Sheet

A conventional system, shown below includes a Sureshot[®] 2200 series dispense valve with an R125 series pressure reservoir for adhesive / sealant supply, Autobonder 2111 for dispense valve control of material supply, dispense valve / ON / OFF / timing, dispense valve stand and needle kit.



Flow Metering Knob
Each step equals
.001" diaphragm opening
.03" maximum stroke



- A PORT= 10-32/5mm valve actuation air input 70 PSI min. 130 PSI max. valve logic normally closed
- B PORT= 0.38" dia x 1/32 dp. c'bore 1032/5m.. post/v/mount.
- C PORT= 1/8" NPT fluid input normally closed - 70 PSI max.
- D PORT= 1/4"-28 dispense output
- E PORT= 10-32/5mm optional post mount (must be vented)

Sureshot[®] 2200 Features

- Compact weight and size
- Adjustable fluid flow control
- Positive shutoff, no seals
- Easy cleaning
- FDA-compliant wetted parts
- Cycle rate exceeds 500/minute
- Low-maintenance design

Technical Information

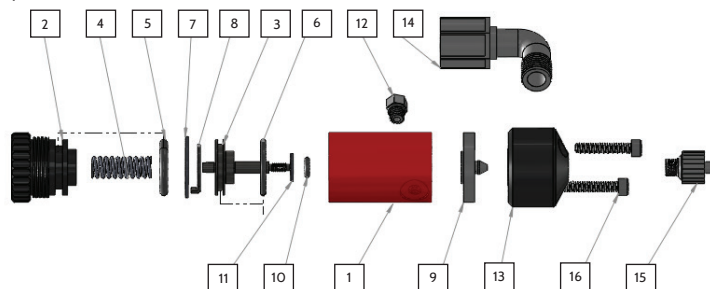
- Length: 2.63" (66.8mm)
- Diameter: 1.062" (27mm)
- Weight: 76 grams (2.68 oz)

The SS2200 Series dispense valve systems accurately control the application of most low to medium viscosity fluids. The unique seal-less design incorporates an inert polymer diaphragm that isolates the actuator from the valve.

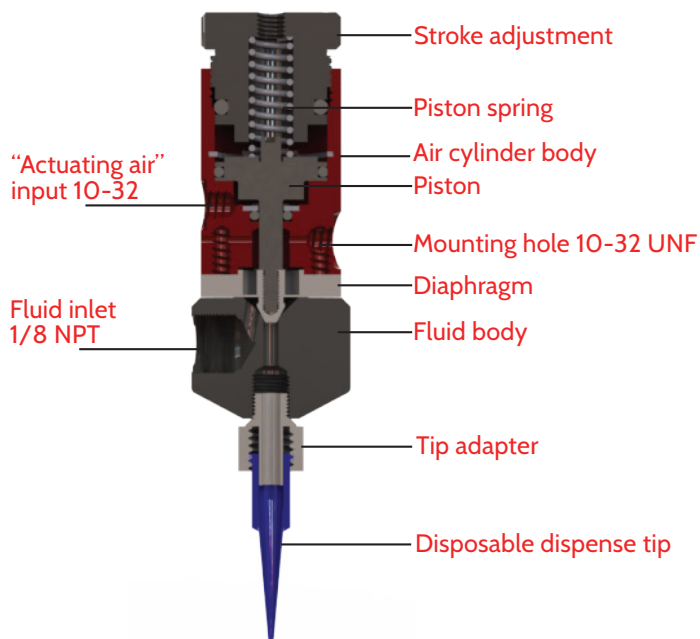
Valve open time can be as short as 15 milli-seconds. The adjustable open/close stroke 0.025 to 0.76mm (0.001" to 0.030") means very fast response and positive shutoff.

Sureshot[®] 2200 series dispense valves are used for dispensing adhesives and sealants including ultraviolet cure polymers, anaerobics, cyanoacrylates, as well as lubricants and fluxes.

An ultra violet light blocking Delrin[®] valve manifold with optional UV kit # 110-030 on the Sureshot[®] 2200 provides consistent trouble free dispensing of UV -cure polymers.



Item No.	Part No.	Description	SS2200-001/qty
1	106-023	Valve Body	1
2	106-024	Flow Adjuster Knob	1
3	106-029	Piston	1
4	109-006	Spring 0.296 dia x 0.980 lg x .043	1
5	109-007	1 1/16" OD x 1/2" ID Buna O-ring #112	1
6	109-009	3/4 OD x 5/8 ID Buna O-ring #016	1
7	109-008	SS Internal Retaining Ring	1
8	106-031	Keved Washer Special	1
9	106-034	Diaphragm Teflon [®]	1
10	109-010	9/32 OD x 5/32 ID Buna O-ring #007	1
11		Flat Washer #8 3/8 OD x 11/64 ID x 0.035SS	1
12	101-008	10-32 Tapered Thread Plug	1
13	106-025	Manifold Straight	1
14	101-046	1/8-NPT x 1/4" Tubinb 90° Kynar Fit 1/8-25 90	1
15	101-048	1/4-28 Luerlock Needle Adaptor # Connect0016	1
16		S.S. Socket Head Cap Screw #6-32 x 3/4	2



MODELS:

- Model SS2200 Teflon[®] straight, part number 110-003
- Model SS2200 Teflon[®] 90°, part number 110-002
- Model SS2200 Delrin[®] straight, part number 110-000
- Model SS2200 Delrin[®] 90°, part number 110-001