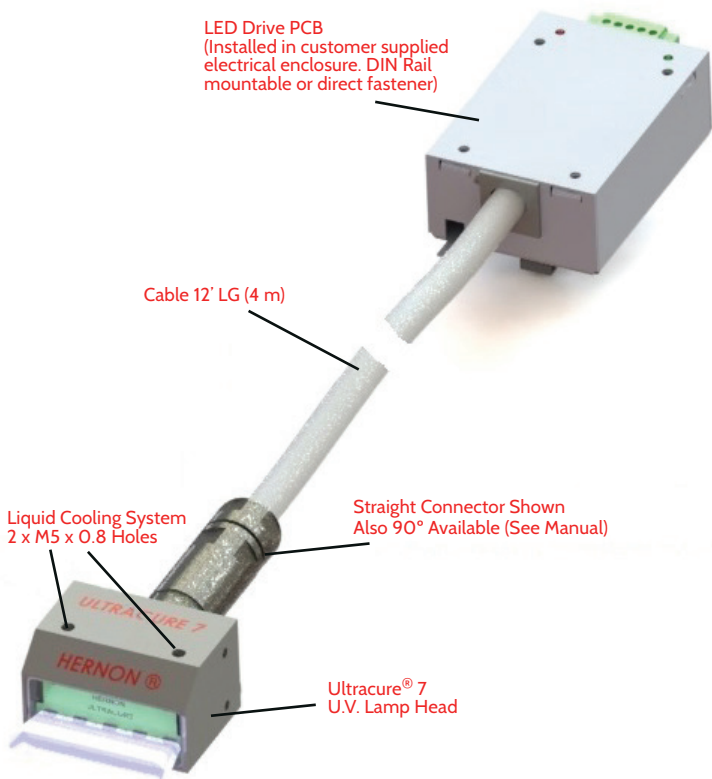




Ultracure[®] 7 Data Sheet

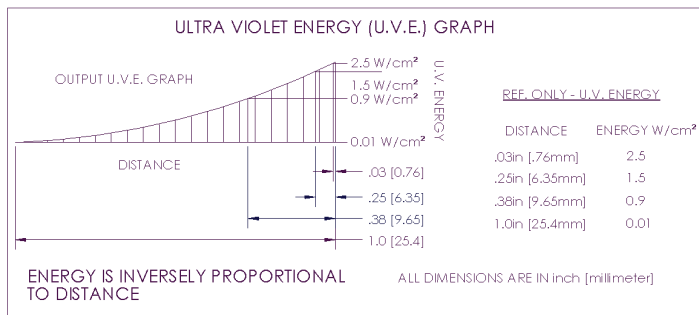
ULTRACURE[®] 7

LED UV Curing System



UV Curve / UV Output Curve

The Ultracure[®] 7 has an optimal distance for proper curing properties; the diagram below shows the UV Intensity vs Distance Curve.

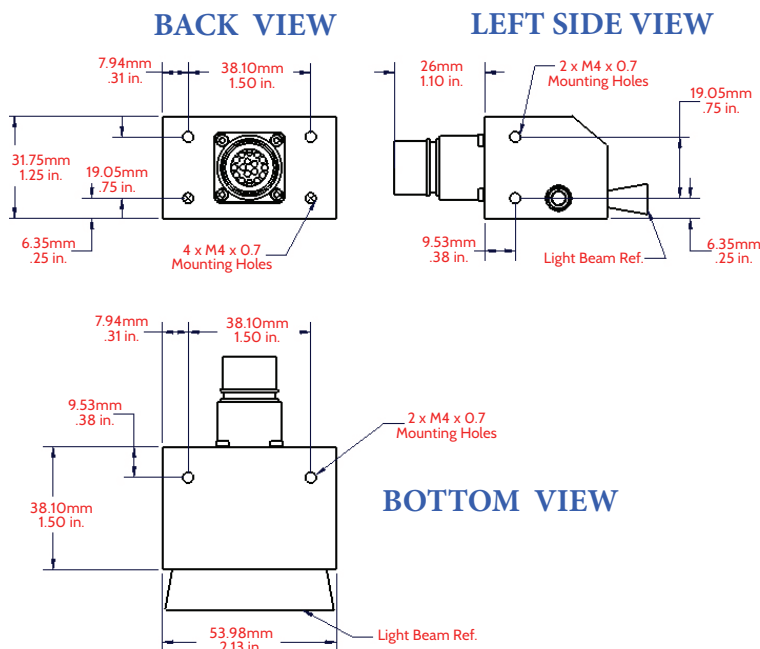


Mounting

The Ultracure[®] 7 has three mounting options. 4 x M4 x 0.7 on electrical connector end, 2 x M4 x 0.7 on both sides of the device.

Mounting Diagram

(Straight connector shown, for more information see manual)



Features/Specifications

- Ultra Violet Energy (UVA) Cure
- 365nm High Output LED
- 24 vdc input power state @ 700 mA
- 2.5/W cm² maximum output @ 365nm
- Built in power regulation and over temperature protection
- Meet IP65 standards (water and dust proof)

Status Indicator

Two status indicator LED's are located on the top of the module.

- Green lamp power on and working properly
- Red lamp indicates Fault Conditions

Thermal

- Liquid cooled