



Ultracure[®] 9 Data Sheet

ULTRACURE[®] 9

LED UV Curing System



General

The Ultracure[®] 9 features the addition of a lens to HERNON's 5-LED UV curing device. The lens provides improvement in curing intensity.

Features/Specifications

- Ultra Violet Energy (U.V.E.) Cure
- Lens increases UV intensity
- Self cooled
- 365nm High Output LED
- Built in power regulation and overheating protection
- Compact design
- Fan air cooled

Status Indicator

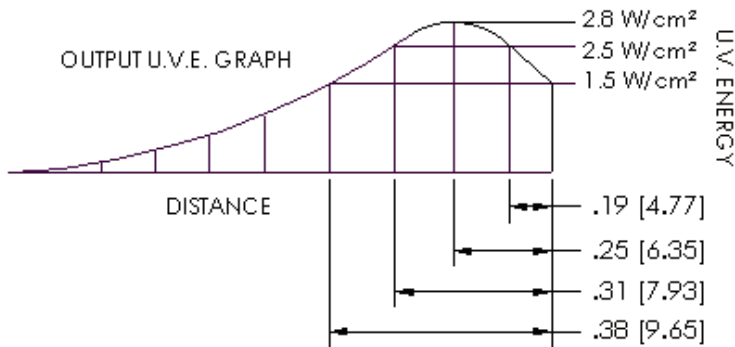
Two status indicator LED is fitting on the top of the module.

- Green lamp power on and working properly
- Red lamp indicates Fault Conditions

UV Curve / UV Output Curve

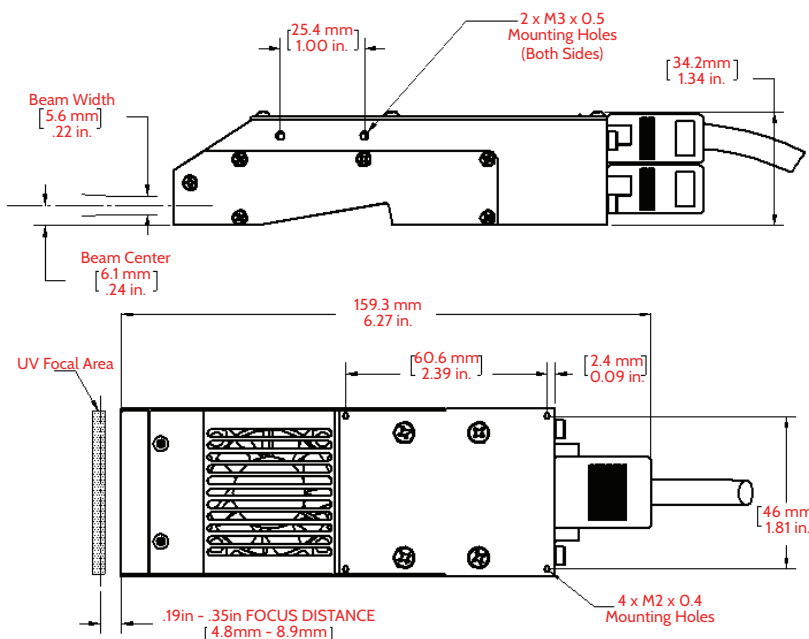
The Ultracure[®] 9 has an optimal distance for proper curing properties; the diagram below shows the UV Intensity vs Distance Curve.

ULTRA VIOLET ENERGY (U.V.E.) GRAPH

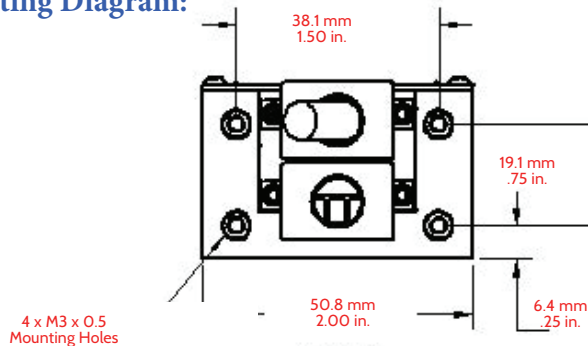


Mounting

The Ultracure[®] 9 has two mounting options. 4 x M3 x 0.5 on electrical connector end, and 4 x M2 x 0.4 on the bottom of the device.



Back Mounting Diagram:



REF. ONLY - U.V. ENERGY

DISTANCE	ENERGY W/cm ²
0in [0mm]	1.5
.19in [4.77mm]	2.5
.25in [6.35mm]	2.8
.31in [7.93mm]	2.5
.38in [9.65mm]	1.5

All Dimensions Are In: inch [mm]