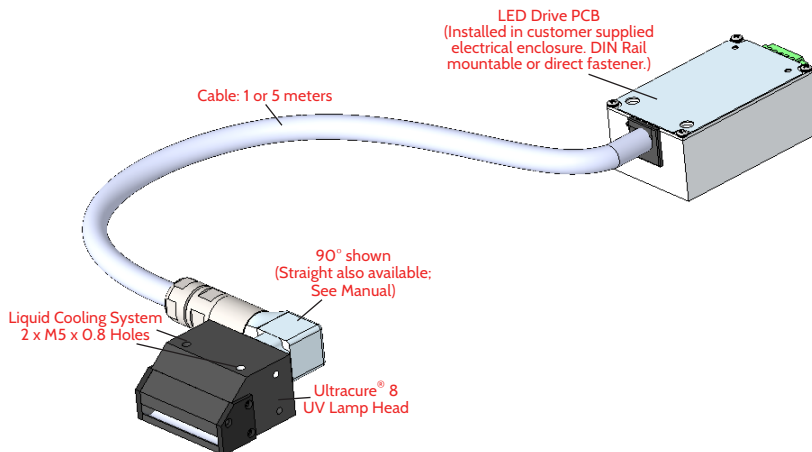




Ultracure[®] 8 Data Sheet

ULTRACURE[®] 8

LED UV Curing System



General

The Ultracure[®] 8 is a water cooled, high intensity UV LED curing light. This unit is a two piece design with a cable connecting the printed circuit board (PCB) to the LED lights. The Ultracure[®] 8 features a lens to focus UV light output and extend the effective curing range by up to 3X that of unfocused lights with the same output.

Features/Specifications

- Ultra Violet Energy (U.V.E.) Cure
- Lens increases UV intensity
- Water cooled
- 365nm High Output LED
- Compact design
- 2 piece design with 1 or 5 meter cables

Status Indicator

Two status indicator LED is fitting on the top of the module.

- Green lamp power on and working properly
- Red lamp indicates Fault Conditions

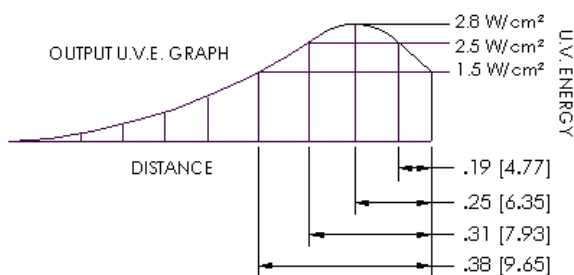
Thermal

- Liquid cooled
- The Ultracure[®] 8 heat exchanger requires 1:1 solution of water and automotive antifreeze (ethylene glycol) with a flow rate of 40ml/min @ 25°C fluid temperature (0.634 gal/hour).

UV Curve / UV Output Curve

The Ultracure[®] 8 has an optimal distance for proper curing properties; the diagram below shows the UV Intensity vs Distance Curve.

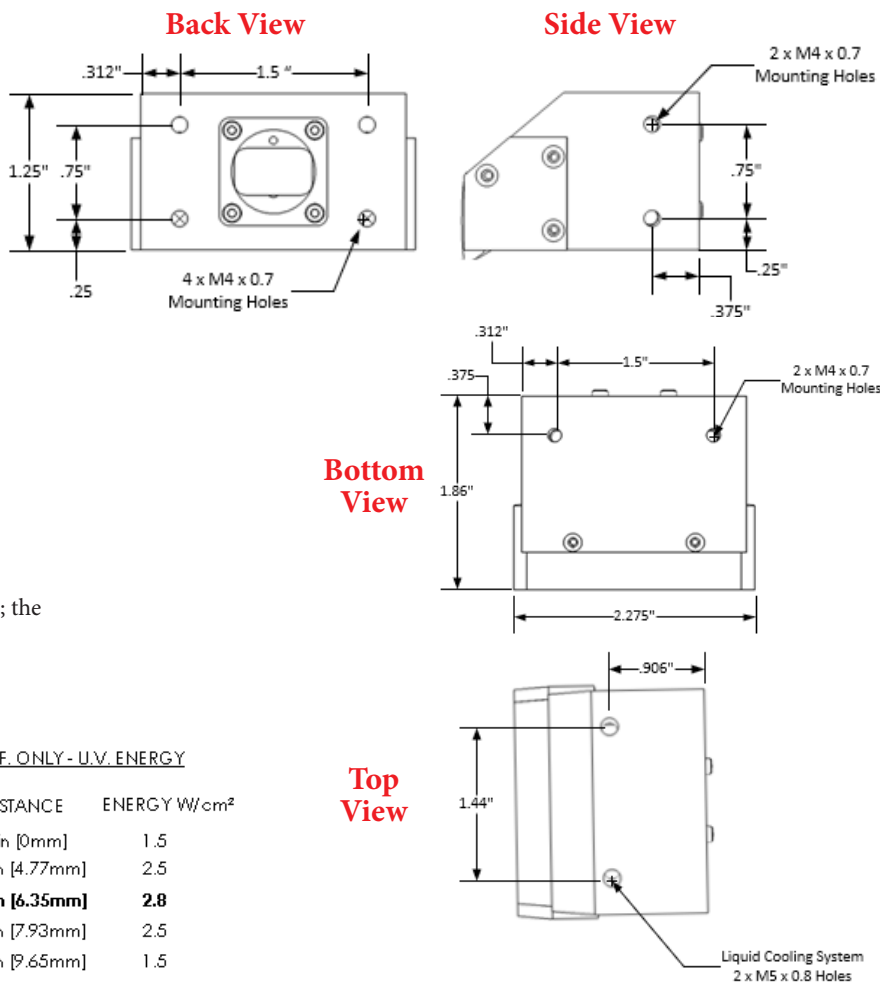
ULTRA VIOLET ENERGY (U.V.E.) GRAPH



All Dimensions Are In: inch [mm]

Mounting

The Ultracure[®]8 has three mounting options. 4 x M4 x 0.7 on electrical connector end, 2 x M4 x 0.7 on both sides of the device.



REF. ONLY - U.V. ENERGY

DISTANCE	ENERGY W/cm ²
0in [0mm]	1.5
.19in [4.77mm]	2.5
.25in [6.35mm]	2.8
.31in [7.93mm]	2.5
.38in [9.65mm]	1.5